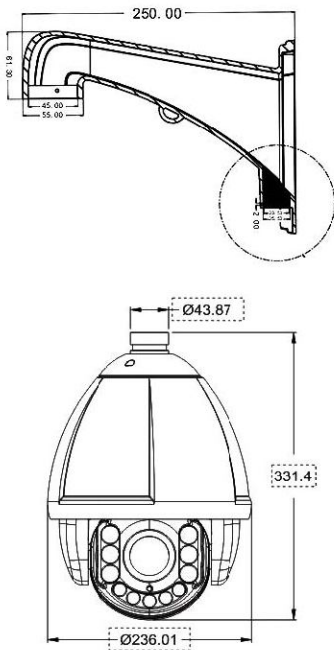


# ZM-SP61WI-23S



- ◆ PWM function, intelligent IR illumination & power consumption  
Is variable, dependant the zoom factor.
- ◆ IR distance 150M.
- ◆ Support ambient light detection, IR illumination on 1-15 grades selectable.
- ◆ 64 bit CPU, slow speed rate 0.05°/s, accuracy 0.01°, smooth and even motion.
- ◆ Time scheduling function.
- ◆ Remote Firmware upgrade via the RS485 bus.
- ◆ Dome ID, baud rate, communication protocol can be set via the controller.
- ◆ Supported Protocols: Pelco-D/P Others on special request.
- ◆ 7" total metal body construction, waterproof IP66.
- ◆ 4 alarm inputs and 2 alarm outputs.

## Dimensions



## Specification

Model	ZM-SP61WI-23S
Signal System	NTSC/PAL
Image Sensor	1/4 inch, Interline Transfer CCD
Picture Elements	NTSC: 768(H) x 494(V) / PAL: 752(H) x 582(V)
Resolution	560TV Lines(Color) / 680TV Lines (B/W)
Video Signal Output	1Vp-p Composite Video(75Ω)
SYNC System	Internal / Line-Lock
Lens	23x, f=3.5 ~ 80.9mm (F1.6 ~ F2.4)
Zoom	23x optical, 16x digital, total 368x
S/N Ratio	52dB (AGC Off, Weight ON)
Minimum Illumination	Color : 0.2 Lux / B/W : 0.02 Lux
Shutter	1/60sec~1/120,000sec(NTSC) ; 1/50sec~1/120,000sec(PAL)
White Balance	ATW/ AWC/ Indoor/ Outdoor/ Manual
Gain	Off, Low, Middle, High
Back light compensation	Off / BLC / HLC
Guard Points	Max.16 points, dwell time user selectable
Pattern Scan	4 pcs
Pattern Scan Record	Max.15 minutes, max.512 commands
PWR on Action	Memory/Pattern 1/Tour 1/360° scan/A-B scan/Preset 1-8/None
Communication Protocol	Pelco-D, Pelco-P
Communication	RS485
Baud Rate	1200/2400/4800/9600bps
Privacy Mask	8
Time Scheduling Function	8 tasks
Operating Temperature	Indoor: 0°~ +40° / Outdoor: -30°~ +50°
Operating Humidity	≤95% Non Condensing
Heater & blower	Auto temperature control
Power	AC/DC15-28V ≤3A
IR illumination Distance	150M
Power Consumption	≤ 20W
Lightning Protection	Transient voltage 3000V
IR LED	Ø22*6pcs, Ø16*5pcs