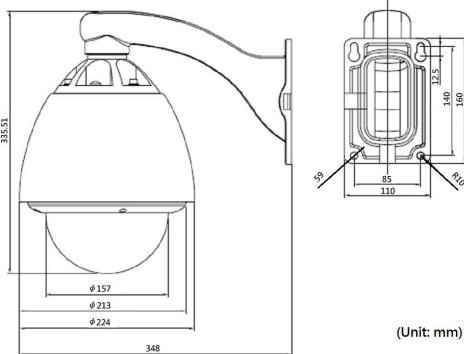


ZM-SP55TW-S223

- ◆ Wide Dynamic Range (WDR) support
- ◆ 3-D coordinate
- ◆ Built-in electronic compass
- ◆ Easy to plug and play structure
- ◆ Pan 0.01°~300°/S, Tilt 0.01°~150°/S, Preset: 500°/S, Pan Tilt accuracy ±0.07°
- ◆ Programmable 220 preset positions, 8 pattern tours, each one with 180s memory
- ◆ 8 cruising tracks, each cruising track has 32 preset positions
- ◆ 6 alarm inputs and 2 outputs
- ◆ 8 Privacy Mask Zones
- ◆ High die-cast aluminum construction
- ◆ 360 degree continuous pan rotation
- ◆ RS-485 multiple protocols, Pelco-P, Pelco-D compatible
- ◆ IP66-rated waterproof, outdoor wall mount housing
- ◆ Build-in fan and heater, temperature auto control



Dimensions



(Unit: mm)

Specification

Model	ZM-SP55TW-S223
Signal System	NTSC/PAL
Image Sensor	1/4 inch, Interline Transfer CCD
Picture Elements	NTSC: 768(H) x 494(V) / PAL: 752(H) x 582(V)
Resolution	560 TV Lines(Min.):Color / 680 TV Lines(Min.):B/W
Video Signal Output	1 Vp-p Composite Video(75Ω)
SYNC System	Internal / External (V-Lock)
Lens	3.5 to 80.9mm F=1.6 to 3.0
Zoom	23x optical, 16x digital, total 368x
S/N Ratio	52dB (AGC Off, Weight ON)
Minimum Illumination	0.2Lux/F1.6(50 IRE):Color ; 0.02Lux/F1.6(50 IRE):B/W
Shutter	1/60sec~1/100,000sec(NTSC) ; 1/50sec~1/100,000sec(PAL)
White Balance	ATW/Indoor/ Outdoor / AWB / Manual
Gain	Auto/Manual
Preset Positions	220
Auto Scan	8 Groups
Cruise Track	8 Groups
Cruise Points Qty per cruise group	32 Preset Positions
Pattern Tours	8 Groups, each one with 180s or 300 commands
Alarm	6 alarm inputs and 2 outputs
Privacy Zone	8 zones(Depend on camera module)
Communication	RS-485 bus,
Transmission Speed	2400 / 4800 / 9600BPS
Protocols	Pelco-D, Pelco-P Compatible
Pan Rotation	Range: 360° ; Speed:0.01°~300°/S
Tilt Rotation	Range: 90°; Speed: 0.01°~150°/S
Pan/Tilt Accuracy	+/- 0.07°
Preset Speed	500° /s
Protection	IP66 water proof/3000V lightning proof
Fan, Heater	Fan and heater auto-starts 24VAC
Power Supply	AC24V/15W
Operating Temperature	-35 °C~60°C
Environmental Humidity	0~95%(Non-condensing)