



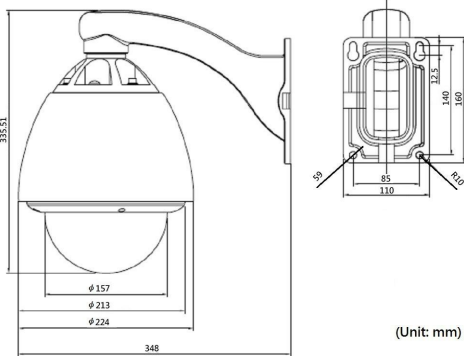
ZM-SP55TW-36E

- ◆ Wide Dynamic Range (WDR) support
- ◆ 3-D coordinate
- ◆ Built-in electronic compass
- ◆ Easy to plug and play structure
- ◆ Pan 0.01°~300°/S, Tilt 0.01°~150°/S, Preset: 500°/S, Pan Tilt accuracy ±0.07°
- ◆ Programmable 220 preset positions, 8 pattern tours, each one with 180s memory
- ◆ 8 cruising tracks, each cruising track has 32 preset positions
- ◆ 6 alarm inputs and 2 outputs
- ◆ 8 Privacy Mask Zones
- ◆ High die-cast aluminum construction
- ◆ 360 degree continuous pan rotation
- ◆ RS-485 multiple protocols, Pelco-P, Pelco-D compatible
- ◆ IP66-rated waterproof, outdoor wall mount housing
- ◆ Build-in fan and heater, temperature auto control



Dimensions

Specification



(Unit: mm)

Model	ZM-SP55TW-36E
Signal System	NTSC/PAL
Image Sensor	1/4 " Sony Exview HAD CCD
Picture Elements	NTSC: 768(H) x 494(V) / PAL: 752(H) x 582(V)
Resolution	600TVL
Video Signal Output	1 Vp-p Composite Video (75 Ω)
SYNC System	Internal / External(V-Lock)
Lens	3.4~122.4 mm, F1.6 ~ 4.5
Zoom	36x Optical, 32x Digital ,Total 1152x
S/N Ratio	≥50dB
Minimum Illumination	0.01Lux ICR On
Shutter	1/60sec~1/100,000sec(NTSC) ; 1/50sec~1/100,000sec(PAL)
White Balance	ATW/Indoor/Outdoor/Manual/AWB/One Push WB
Gain	Auto/Manual
WDR	YES
Communication	RS-485 bus,
Communication	2400 / 4800 / 9600BPS
Transmission Speed	
Protocol	PELCO-P, PELCO-D
Pan Rotation	Range: 360° ; Speed:0.01°~300°/S
Tilt Rotation	Range: 90°; Speed: 0.01°~150°/S
Pan/Tilt Accuracy	+/- 0.07°
Preset Speed	500° /s
Presets Positions	220
Auto Cruising	8 cruising tracks, 32 preset positions for each, dwell time programmable
Auto Scan	8 auto scan tracks
Pattern Tour	8 group, each one with 180s memory
Guard Location	Preset, scan cruising and pattern tour
Power Source	AC24V/15W
Operating Temperature	-35~ +60°C
Environmental Humidity	0~95%(Non-condensing)

